



SIPSMT05-12 SERIES

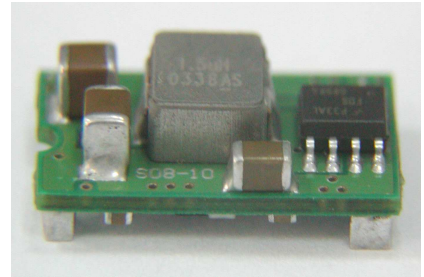
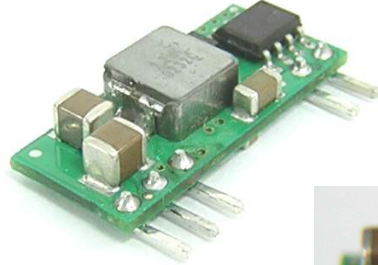
5 AMP

POL CONVERTERS



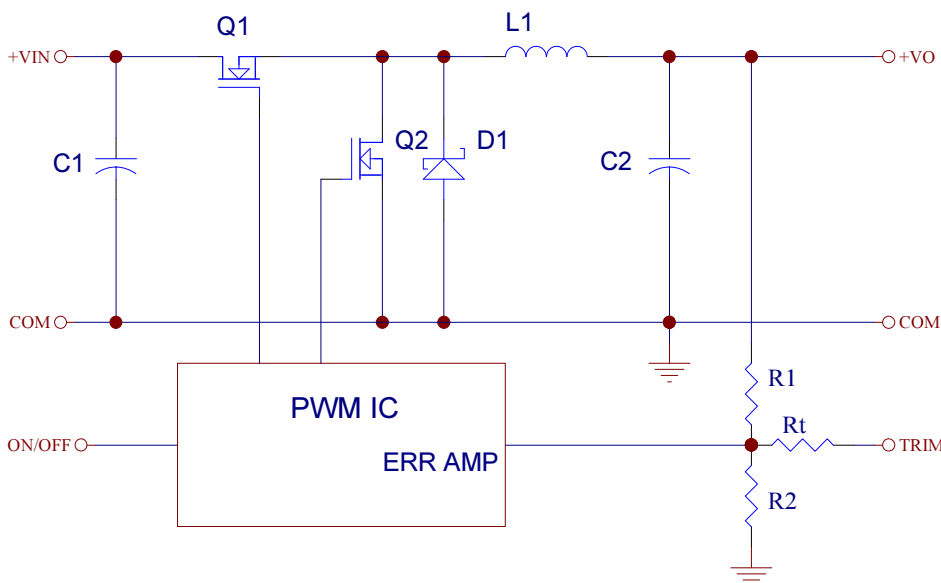
FEATURES

- * Non-Isolated POL Converter
- * SIP/SMT Package
- * Output Current 5AMP
- * Input Voltage Range 8.3 –14VDC
- * Output Voltage Range 0.75-5VDC
- * High Efficiency to 92%
- * Over Temperature Protection
- * Continuous Short Circuit Protection
- * Remote On/Off Control
- * UL/C-UL60950 Certified
- * Safety Meets IEC/EN/UL 62368-1



MODEL NUMBER	INPUT VOLTAGE	OUTPUT VOLTAGE	OUTPUT CURRENT	INPUT CURRENT		Efficiency (%)
				NO LOAD	FULL LOAD	
SIP05-12S05A SMT05-12S05A	8.3 – 14VDC	0.75VDC	5A	20mA	428mA	73
		1.2VDC	5A	25mA	625mA	80
		1.5VDC	5A	25mA	762mA	82
		1.8VDC	5A	30mA	893mA	84
		2.0VDC	5A	30mA	980mA	85
		2.5VDC	5A	35mA	1197mA	87
		3.3VDC	5A	45mA	1545mA	89
5.0VDC	5A	50mA	2264mA	92		

NOTE: Nominal Input Voltage 12VDC



Vo,set (V)	Rtrim (KΩ)
0.75	Open
1.2	22.33
1.5	13.0
1.8	9.0
2.0	7.4
2.5	5.0
3.3	3.12
5.0	1.47

Table 1. External Resistor Values for programming output voltage

Figure 1. Simplified Schematic

