



COMMON MODE CHOKE

Ordering Information:

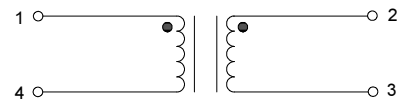
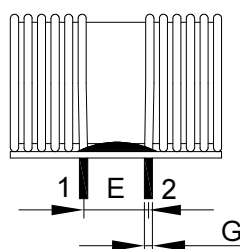
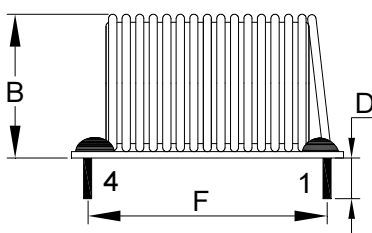
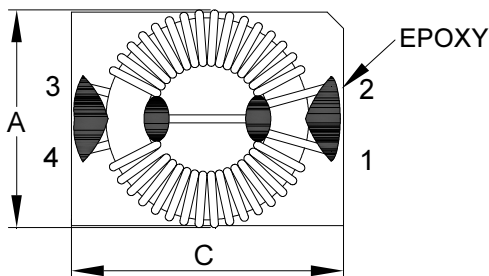
MODEL NUMBER	Description	Package	Qty (Per Package)	Inductance			DCR (mΩ max.)	Hi-Pot (Between Lines)	Rated Current (A)
				mH	tolerance	Tested			
CMK-01-T	CMCK DIP T25*15*15C	Tray	15	3.9	±30%	1kHz 0.25V	20	600Vac 3sec.	9.4
CMK-01-C		Carton	270						
CMK-02-T	CMCK DIP T25*15*13C	Tray	15	4.2	±25%	1kHz 0.25V	32	600Vac 3sec.	5
CMK-02-C		Carton	270						
CMK-03-T	CMCK DIP T18*13*6C	Tray	24	1.5	±33%	100kHz 0.25V	9.5	600Vac 3sec.	9.4
CMK-03-C		Carton	624						
CMK-04-T	CMCK DIP T10*5*5C	Tray	55	1.7	±30%	10kHz 0.25V	41	600Vac 3sec.	3.2
CMK-04-C		Carton	2090						
CMK-05-T	CMCK DIP T22*14*8B	Tray	18	0.72	±30%	10kHz 0.25V	7	600Vac 3sec.	20
CMK-05-C		Carton	468						
CMK-06-T	CMCK DIP T18*13*6C	Tray	18	0.52	±35%	10kHz 0.25V	1.5	600Vac 3sec.	30
CMK-06-C		Carton	468						
CMK-07-T		Tray	18	0.12	±30%		0.7		45
CMK-07-C		Carton	468						

- *1. -T model ordering unit: Tray.
- *2. -C model ordering unit: Carton.
- *3. MOQ: 1 Tray/Carton.

MECHANICAL SPECIFICATION

UNIT: mm

CMK-01, 02, 03



	CMK-01	CMK-02	CMK-03
A	29.0 Max.	28.5 Max.	21.7 Max.
B	19.5 Max.	18.5 Max.	10.8 Max.
C	34.0 Max.	34.0 Max.	24.7 Max.
D	3.5 ±1.0	3.5 ±1.0	3.5 ±1.0
E	8.0 ±0.5	25.4 ±0.5	5.1 ±0.5
F	30.5 ±0.5	26.4 ±0.5	21.3 ±0.5
G	1.1 Max.	0.9 Max.	1.1 Max.

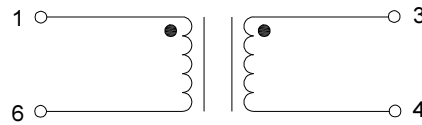
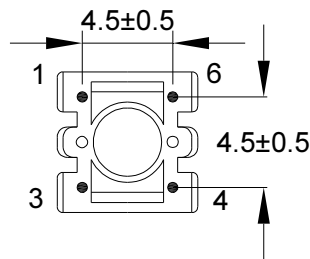
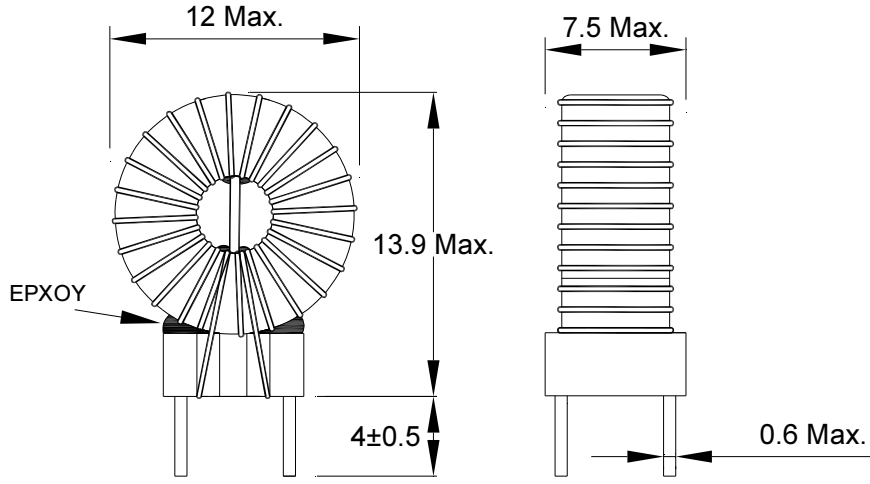


COMMON MODE CHOKE

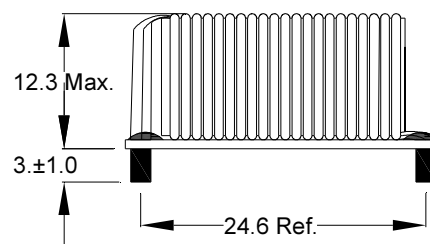
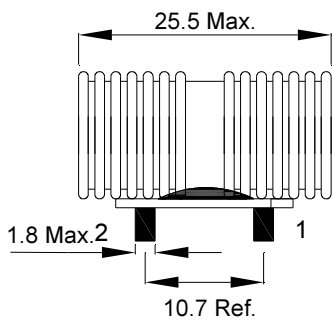
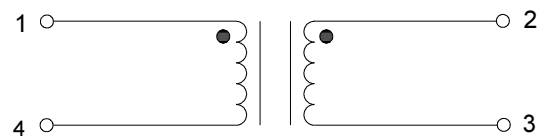
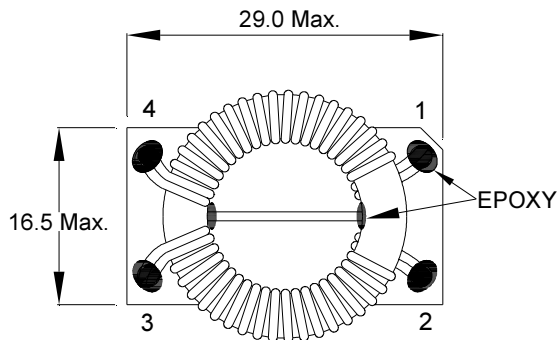
MECHANICAL SPECIFICATION

UNIT: mm

CMK-04



CMK-05



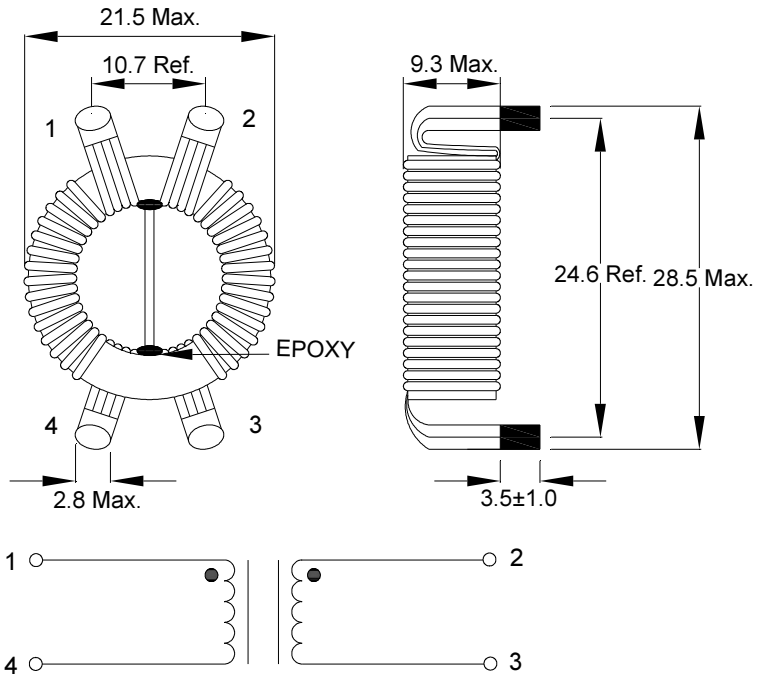


COMMON MODE CHOKE

MECHANICAL SPECIFICATION

UNIT: mm

CMK-06



CMK-07

